



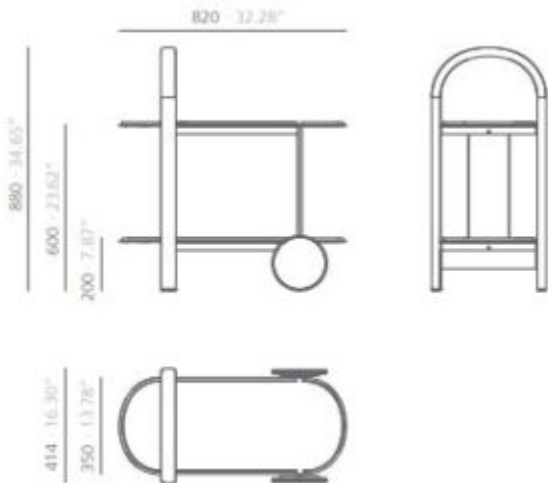
# Croma trolley

---



It boasts two shelves joined by a solid ash arch and an aluminum frame which can be requested in chrome plating or painted in any of the colors from the collection. Its large wheels, also in ash, make it easier to move around while also enhancing its playful geometry.

## Dimensions



## SPECIFICATIONS

### Arms

No



Hospitality  
Furniture  
Concepts

## Leadtime

Commercial Furniture · Product Data Sheet

12 weeks +

## Stacking

No

## Price

More than 500