

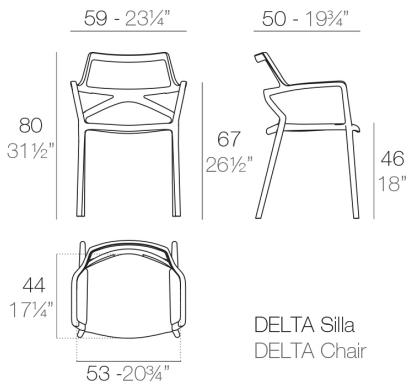


# Delta Chair

---



Delta collection is made to fit in with exterior or interior contemporary spaces. The injected aluminum base and extracted aluminum column make it ideal for use in the open air, due to the weather-resistant properties of these materials. The folding top and the design of the base enables the tables to be lined up one against the other to save space when they are not in use. The goal of the DELTA chair was to create a timeless product that constantly seeks to strike a balance between realism and surrealism—matter and antimatter, abstraction and emotion. The goal was to maximize emotions while minimizing resources, questioning the common logic of something new.



## SPECIFICATIONS

<b>Arms</b>	Yes
<b>Leadtime</b>	14 weeks +
<b>Linking</b>	No



Hospitality  
Furniture  
Concepts

**Price**

Commercial Furniture · Product Data Sheet

200 - 500

**Stacking**

No