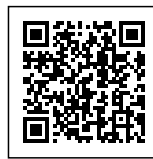
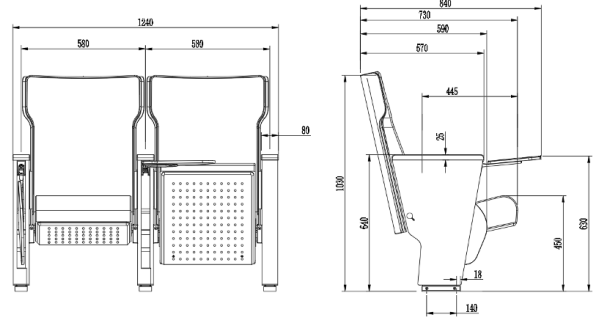




#### FERRAGO - MD

1. **Back & Seat Sponge**
  - High-density PU, cold-foam molded to prevent long-term distortion.
  - Back density: 55 kg/m<sup>3</sup>
  - Seat density: 60 kg/m<sup>3</sup>
2. **Back & Seat Cover**
  - Premium deformation-resistant high-density hard plywood.
  - Processed with high-standard treatment techniques.
3. **Fabric**
  - Premium fabric that resists stains and discoloration.
4. **Legs**
  - Constructed from 2.5 mm high-quality steel plate.
  - Mold stamped and polished for durability and aesthetics.
5. **Handrails**
  - Made from high-quality multi-layer board.
  - Polished and sprayed multiple times.
  - Assembled into an overall frame with a built-in iron frame over 3 mm thick.
  - Painted with high-quality paint and available with fabric upholstery options.
6. **Armrest Cover**
  - Made from imported timber with an external polyester coating.
7. **Tablet**
  - MDF writing board with high-quality wood veneer.
  - Polished and sealed with paint five times using Dabao paint from Taiwan.
  - Thickness: 15 mm
8. **Cushion Recovery**
  - Spring plus damping mechanism for noise-free operation.
9. **Screws**
  - Steel hexagon socket cap screws and expanding nuts for secure assembly.

**Dimensions:** (580+80=660) \* 840 \* 1030 mm





## Upholstery options



## Upholstery options

[Download](#)



## Recent Projects



Hospitality  
Furniture  
Concepts



Hospitality  
Furniture  
Concepts



Cannon Hill Anglican College

Auditorium

## CAD Support

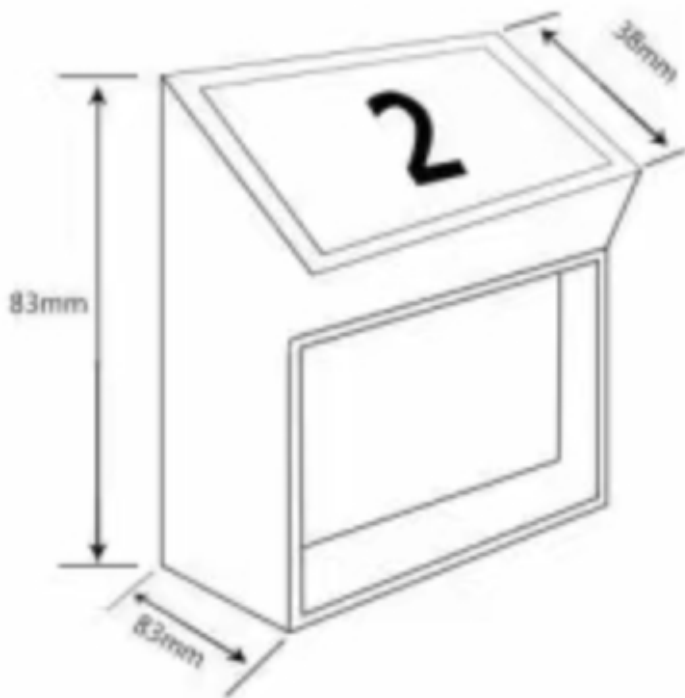
- Request CAD file
- Need support with optimising a layout, let us know

## Options





Seat number

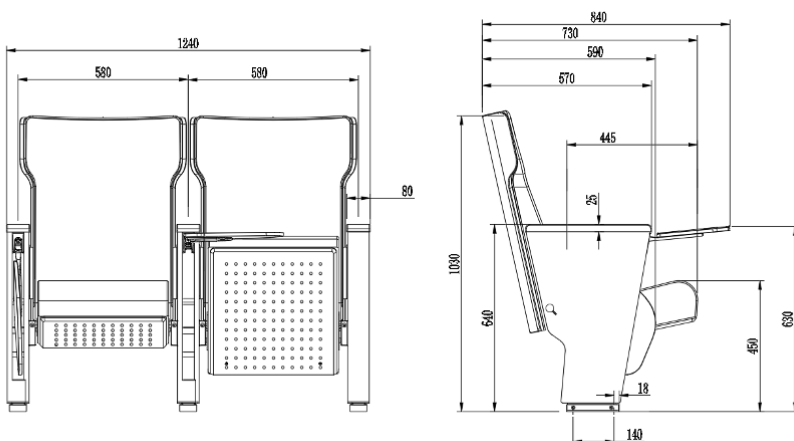




Aisle number with light

1. **Back & Seat Sponge**
  - High-density PU, cold-foam molded to prevent long-term distortion.
  - Back density: 55 kg/m<sup>3</sup>
  - Seat density: 60 kg/m<sup>3</sup>
2. **Back & Seat Cover**
  - Premium deformation-resistant high-density hard plywood.
  - Processed with high-standard treatment techniques.
3. **Fabric**
  - Premium fabric that resists stains and discoloration.
4. **Legs**
  - Constructed from 2.5 mm high-quality steel plate.
  - Mold stamped and polished for durability and aesthetics.
5. **Handrails**
  - Made from high-quality multi-layer board.
  - Polished and sprayed multiple times.
  - Assembled into an overall frame with a built-in iron frame over 3 mm thick.
  - Painted with high-quality paint and available with fabric upholstery options.
6. **Armrest Cover**
  - Made from imported timber with an external polyester coating.
7. **Tablet**
  - MDF writing board with high-quality wood veneer.
  - Polished and sealed with paint five times using Dabao paint from Taiwan.
  - Thickness: 15 mm
8. **Cushion Recovery**
  - Spring plus damping mechanism for noise-free operation.
9. **Screws**
  - Steel hexagon socket cap screws and expanding nuts for secure assembly.

**Dimensions:** (580+80=660) \* 840 \* 1030 mm



BRAND





## Zaneti

Zaneti is an Italian furniture brand celebrated for its craftsmanship, refined design, and enduring quality. The brand specialises in chairs, tables, bases, and bespoke pieces, with a strong focus on aluminium outdoor furniture designed for both residential and commercial use.

Each collection reflects Italian design sensibility — combining elegance, proportion, and durability. Using premium materials such as aluminium, steel, and timber, Zaneti creates furniture that brings warmth and character to cafés, hotels, workplaces, and public spaces.

Hospitality Furniture Concepts offers the full Zaneti range in Australia, helping designers and operators furnish interiors and outdoor areas with timeless, design-led pieces built to last.

## ZANETI

The latest on offer from Australian design studio, Zaneti. The brand specialised in designing chairs, tables, bases and bespoke pieces. They are specifically known for their work with aluminium outdoor furniture. Zaneti chairs and bases inject style and personality into any room. Made from an assortment of materials including quality wood, steel and aluminium they're the perfect pieces to freshen up an interior.