



Immerse Polywood I3405-DW



The Immerse combines a commercial grade aluminium frame with a seat choice of a hand-woven rope, slatted polywood or slatted aluminium design to suit any occasion.

These chairs have some great features such as:

- Commercial quality Construction.
- All aluminium powder coated frames will never rust.

The lightweight frame has clean, minimalist design that expresses an at once both reassuring and innovative concept.

Immerse is an extension of the human body, embracing natural curves and flow through a durable and supportive frame.

Delicate craftsmanship blends Earthen elements together in seamless comfort: choose between curved, slatted polywood, handwoven rattan and rope or an aluminium seat.

Material

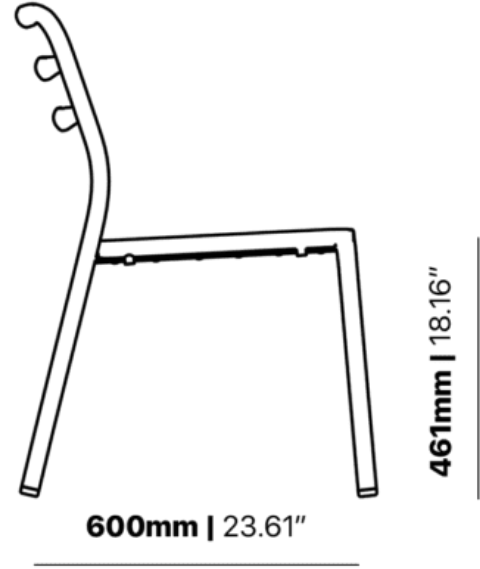
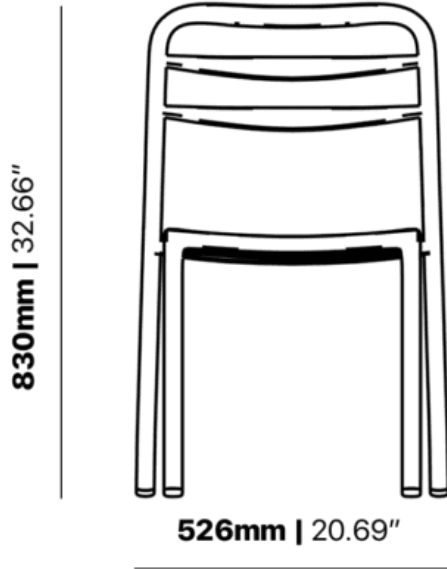
Aluminium

Polywood

Details

Side chair

Dimensions



Catalogue
Download now >

SPECIFICATIONS

Stacking	Yes
Leadtime	Stock
Material	Metal
Arms	No
Linking	No
Price	200 – 500
Zaneti Colours	Anthracite, Azure Blue, Chilli Orange, Matte Honey, Matte Red, Matte White, Reseda Green