



## PLAY

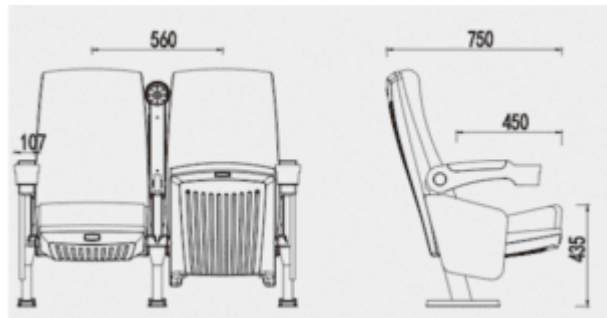
### MODERN FIXED AUDITORIUM & THEATRE SEATING

**Play** is a contemporary fixed auditorium seat designed for lecture halls, performance venues and presentation spaces. Its slim metal frame creates a clean, architectural silhouette that feels sleek and modern in any interior.

The exposed steel structure gives Play a refined, lightweight appearance while maintaining the strength required for high-use environments. Upholstered seating adds comfort for extended sessions, balancing durability with a sharp visual profile.

Ideal for universities, corporate auditoriums and cultural venues seeking fixed seating with a modern metal aesthetic.

## Dimensions







## Upholstery options



YM94-30Z



YM94-30Z



YM94-30Z



YM94-30Z



## Writing Board





---

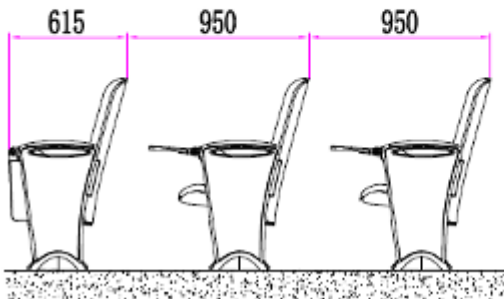
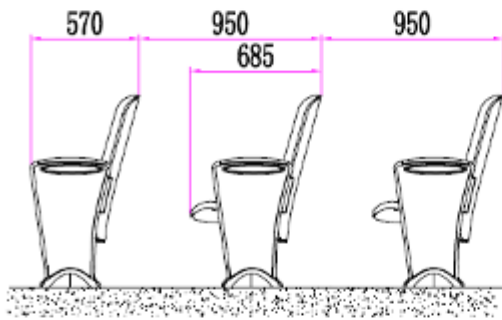
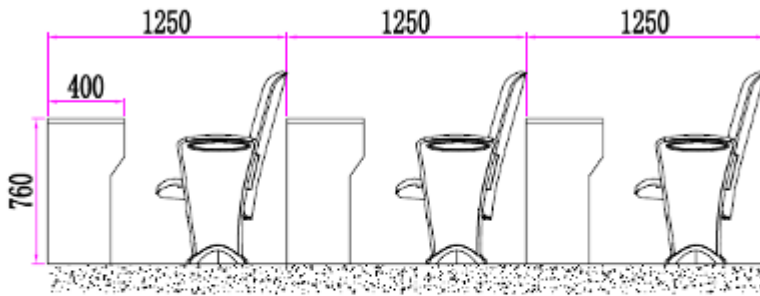
## Functional Display

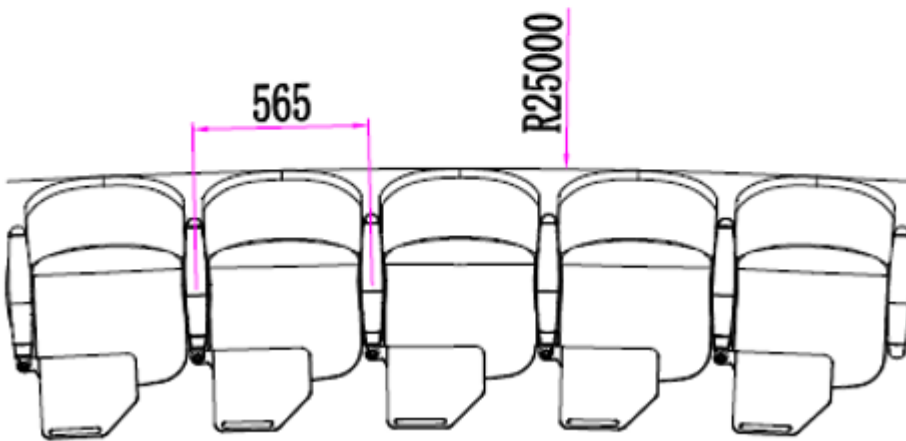
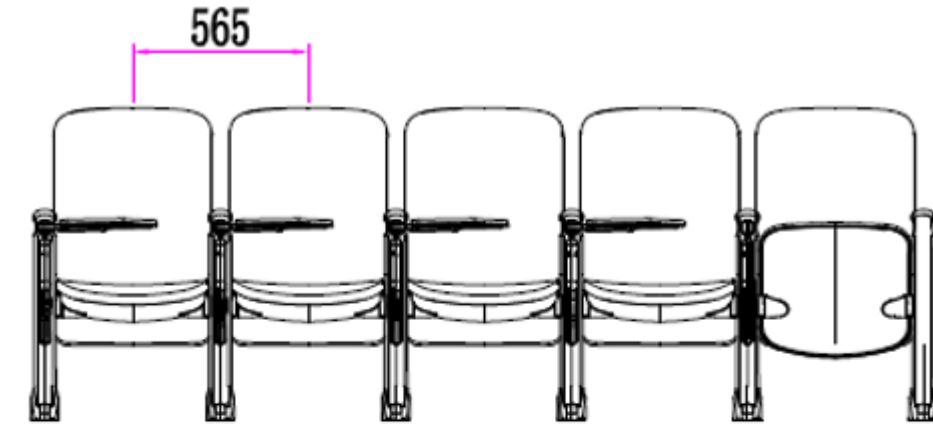




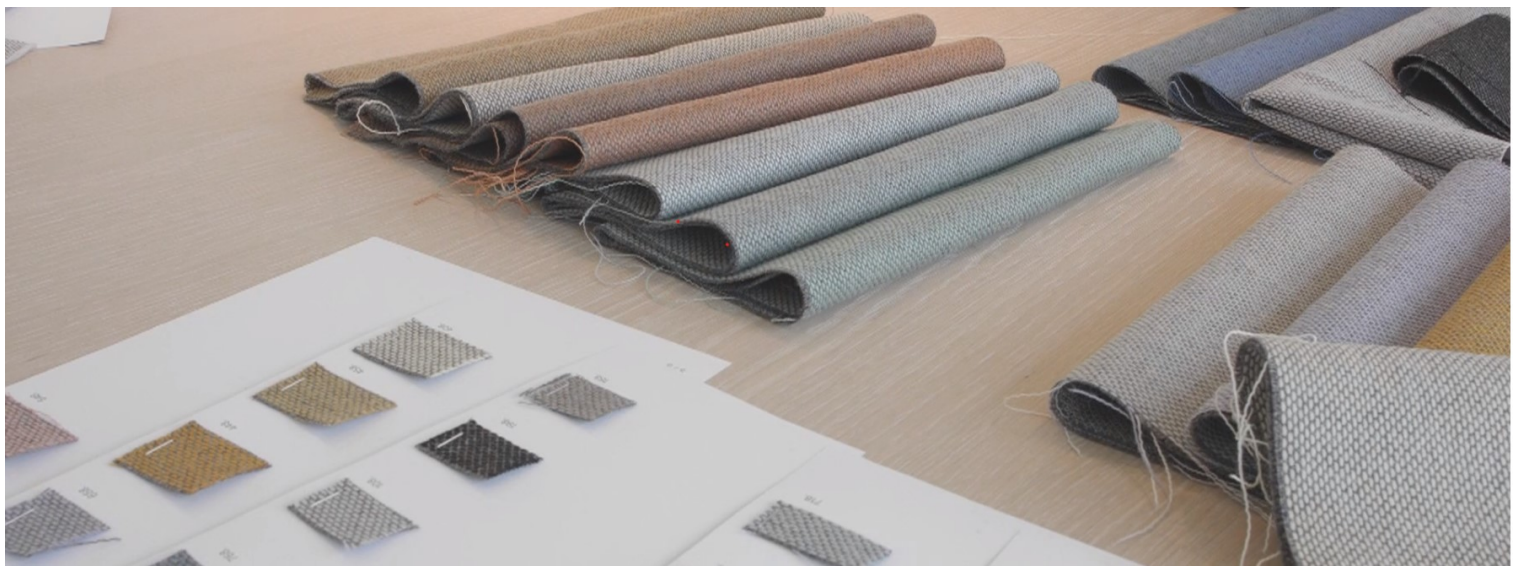
Overall display of multifunctional space seat: the shrinking size and use size perfectly interpret the modern human body. Functional science, just right. The torsion spring and damping recovery mechanism is adopted, which is more flexible and convenient.

## Configurations





UPHOLSTERY OPTIONS





## Commercial Upholstery & Fabric Options for Auditorium Seating

Choose durable commercial fabrics for theatres, lecture halls and performing arts venues. Download the upholstery guide or request samples.

[Download Upholstery Options \(PDF\)](#)

Typical lead time: **12 weeks** depending on fabric, quantity and project timing. Send your seating schedule and we'll confirm availability and compliance.

- [Durability ratings](#)
- [Cleaning & maintenance](#)
- [Colour matching](#)
- [Compliance checks](#)
- [Sample requests](#)
- [Lead time planning](#)

### Choosing the right commercial fabric

**Best for:** theatres, lecture halls, performing arts venues and education facilities

**Key checks:** abrasion rating, pilling, colour fastness and cleaning method

**High traffic:** prioritise commercial-grade upholstery with proven performance

**Maintenance:** match fabric choice to cleaning routine and servicing access

**Colour & finish:** select tones that work under low light and stage lighting

**Documentation:** data sheets, tender notes and samples can be provided

**Need confirmation?** Share your venue type, schedule and fabric preference and we'll confirm suitability.

[Check suitability](#)

#### AUDITORIUM SEATING UPHOLSTERY, SPECIFICATION & LONG-TERM SUPPORT

We supply **commercial auditorium seating** nationally across Australia for theatres, lecture halls, performing arts centres, education facilities and civic venues. Upholstery can be specified for high-traffic use and selected to meet



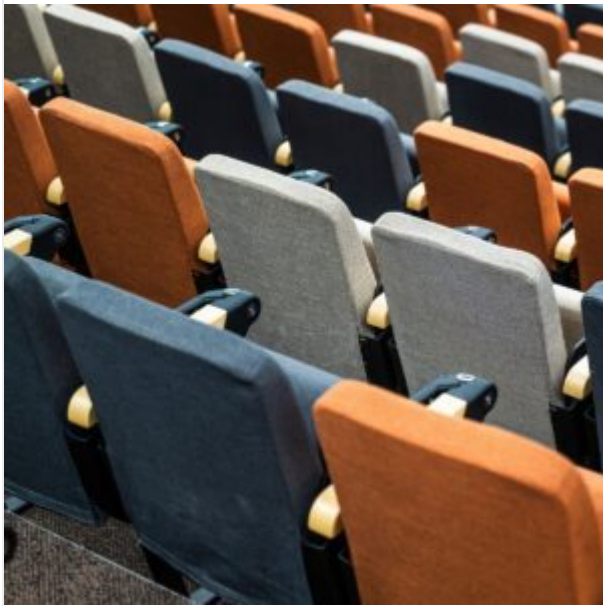
project requirements for durability, maintenance and performance.

Need help with documentation? We provide **CAD support**, layout assistance and specification notes for tender packs. If your project includes public waiting or terminal areas, see our [public seating systems](#) and [beam seating](#) ranges. For samples, drawings or a quotation, [contact our team](#).

We also offer **servicing for long-term use**, including inspections, parts replacement and **re-upholstery** to extend the life of your seating.

#### RECENT AUDITORIUM SEATING PROJECTS

Installed auditorium and public seating projects across Australia. Use these as references for layout, upholstery, aisle lighting and numbering.



Cannon Hill Anglican College



Auditorium, Education

**RELATED GUIDES & INSIGHTS**

Specification tips, upholstery selection and layout support for auditoriums and lecture theatres.



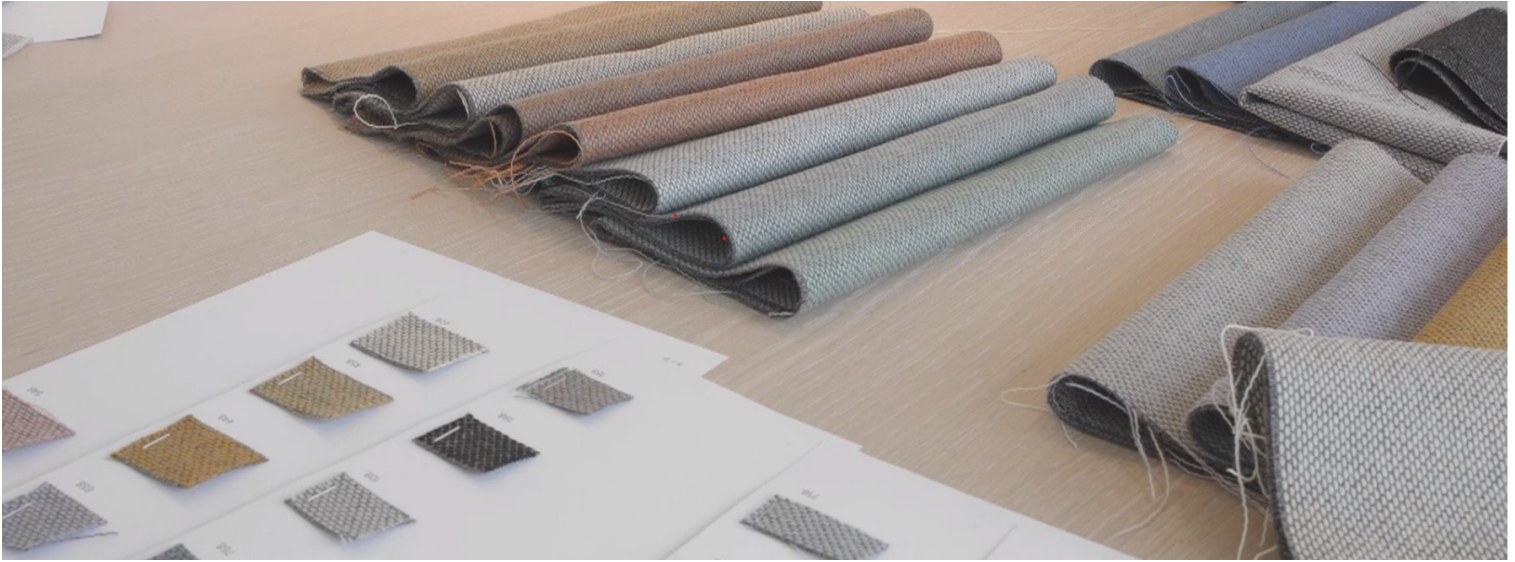
[Auditorium Seating for Education Spaces: Cannon Hill Anglican College Project](#)

14  
Jul

CAD & LAYOUT SUPPORT

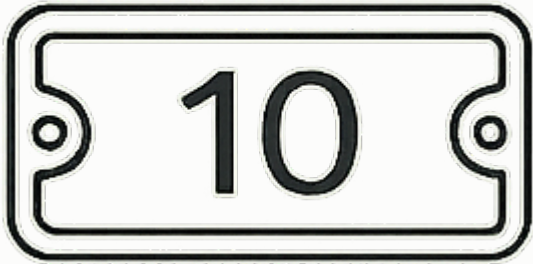
- **Request CAD / Revit files** for this seating model.
- **Layout support:** row spacing, aisles, sightlines and egress.
- **Tender pack help:** product data, finishes and specification notes.

[Request Auditorium Layout Assistance](#)



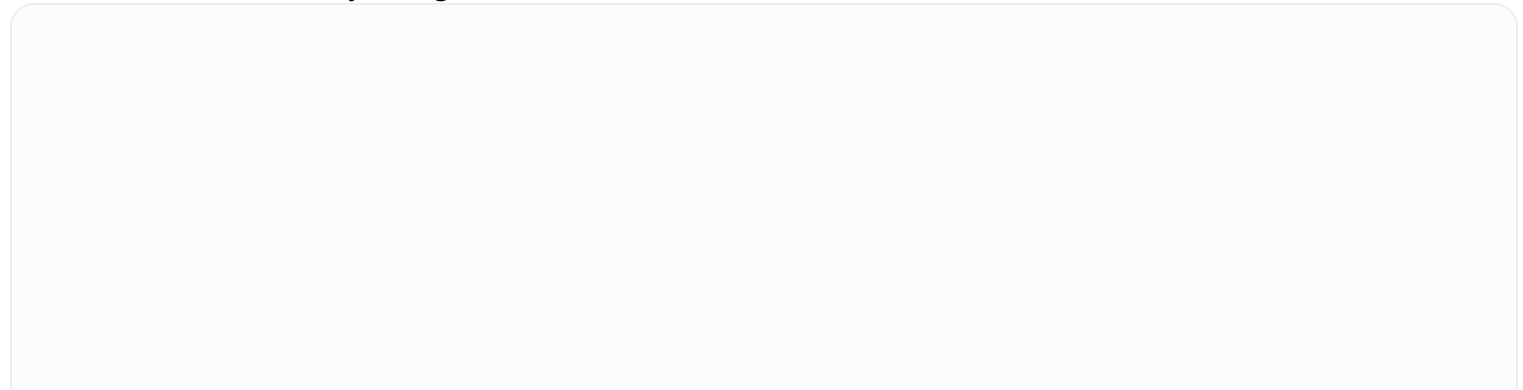
#### AUDITORIUM SEATING OPTIONS

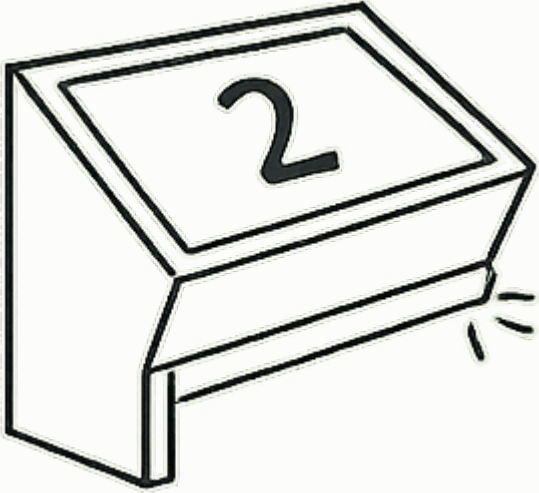
Add-ons that improve wayfinding and seat identification in low-light rooms.



#### Seat numbering

Row and seat ID for fast wayfinding in auditoriums and lecture theatres.





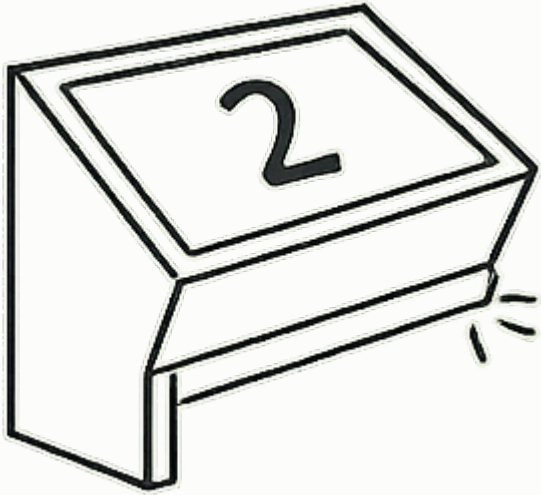
**Aisle numbering + light**

Clear aisle guidance and safer access in low-light rooms.



**Row markers**

End-of-row markers for bay identification.



#### Aisle edge lighting

Low-glare guidance lighting along aisle edges.

#### AUDITORIUM & LECTURE THEATRE SEATING AUSTRALIA

Hospitality Furniture Concepts supplies **auditorium seating** and **lecture theatre seating** for education, performance and public venues across Australia. Our range includes fixed seating systems, optional wayfinding accessories and upholstery support for long-term use.

For broader public space solutions, view our [airport & public seating systems](#) and [beam seating](#). If you are specifying education interiors, explore our [theatre & auditorium seating range](#).

Need a quotation or drawings? Share your layout, row count and preferred finishes via our [contact page](#) and we'll respond with lead time, data sheets and specification support.

#### EXPLORE RELATED PUBLIC SEATING RANGES

- [Theatre & auditorium seating](#) – fixed lecture chairs, acoustic options and venue-ready accessories.
- [Beam seating](#) – high-traffic public seating for terminals and waiting areas.
- [Airport & public seating systems](#) – engineered solutions for transport hubs and civic spaces.

#### FAQS

[Can I specify my own fabric?](#)



Yes. You can specify your own commercial upholstery or select from our recommended fabric ranges. You can also request samples.

#### [What is the typical lead time?](#)

Lead time is typically 12 weeks depending on fabric selection, quantity and project timing.

#### [Do you provide CAD files and layout help?](#)

Yes. We can supply CAD / Revit files and assist with layout optimisation for row spacing, aisles, sightlines and access paths.

#### [Do you service auditorium seating and provide re-upholstery?](#)

Yes. We offer servicing support including inspections, parts replacement and re-upholstery to extend the life of seating in high-use venues.

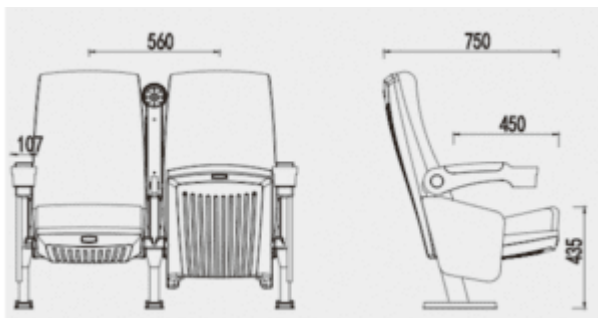
### MODERN FIXED AUDITORIUM & THEATRE SEATING

**Play** is a contemporary fixed auditorium seat designed for lecture halls, performance venues and presentation spaces. Its slim metal frame creates a clean, architectural silhouette that feels sleek and modern in any interior.

The exposed steel structure gives Play a refined, lightweight appearance while maintaining the strength required for high-use environments. Upholstered seating adds comfort for extended sessions, balancing durability with a sharp visual profile.

Ideal for universities, corporate auditoriums and cultural venues seeking fixed seating with a modern metal aesthetic.

#### Dimensions





## BRAND

### Zaneti

Zaneti is an Italian furniture brand celebrated for its craftsmanship, refined design, and enduring quality. The brand specialises in chairs, tables, bases, and bespoke pieces, with a strong focus on aluminium outdoor furniture designed for both residential and commercial use.

Each collection reflects Italian design sensibility — combining elegance, proportion, and durability. Using premium materials such as aluminium, steel, and timber, Zaneti creates furniture that brings warmth and character to cafés, hotels, workplaces, and public spaces.

Hospitality Furniture Concepts offers the full Zaneti range in Australia, helping designers and operators furnish interiors and outdoor areas with timeless, design-led pieces built to last.

## ZANETI

The latest on offer from Australian design studio, Zaneti. The brand specialised in designing chairs, tables, bases and bespoke pieces. They are specifically known for their work with aluminium outdoor furniture. Zaneti chairs and bases inject style and personality into any room. Made from an assortment of materials including quality wood, steel and aluminium they're the perfect pieces to freshen up an interior.