



Sigma Table S1000-MB



Introducing the "Sigma Table" - a harmonious marriage of industrial strength and natural elegance. The cast iron table base, available in Matte Black, Matte White, or Reseda Green, sets a bold foundation for this versatile piece. Shown topped with the Agora table top by Zaneti, the Sigma Table is a seamless blend of rugged durability and refined beauty.

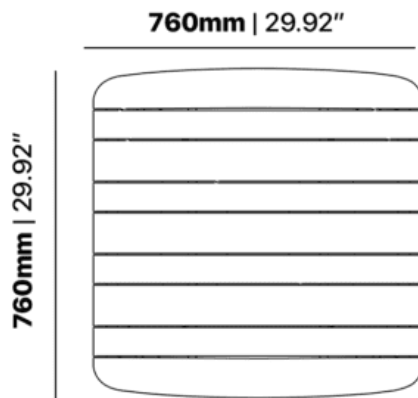
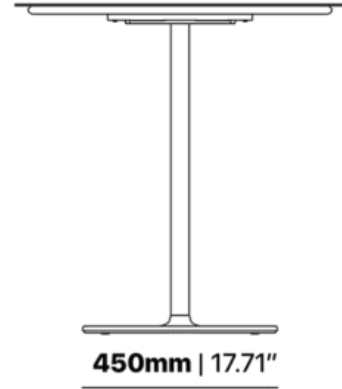
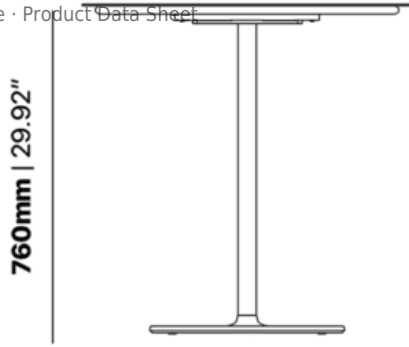
Designed for both style and substance, the Sigma Table suits a variety of settings, from dynamic offices to upscale eateries. The cast iron base ensures stability and resilience, while the elegant oak or ash top adds a touch of sophistication to any space.

Customize your environment with the Sigma Table, where the choice of finish and premium wood creates a tailored aesthetic. Elevate your commercial space with a table that combines industrial strength with timeless appeal - choose the Sigma Table for enduring style and durability.

Material

Aluminium top, Steel base (not recommended for coastal environments).

Dimensions



SPECIFICATIONS

| | |
|-----------------------|--|
| Stacking | No |
| Leadtime | Stock |
| Material | Steel, Aluminium, Metal |
| Arms | No |
| Linking | No |
| Price | 200 - 500 |
| Zaneti Colours | Anthracite, Azure Blue, Chilli Orange, Matte Honey, Matte Red, Matte White, Reseda Green |
| Agora Top Size | 760x640mm, 760x760mm, Ø763mm |