



Wing TV Stand

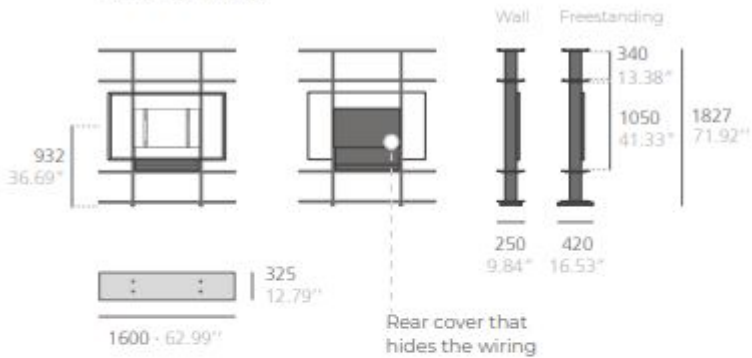


1600 mm wide TV stand designed for individual use or to form compositions with the Wing shelves. Includes a rear panel that hides the connections. Supports screens up to 70 inches, with a maximum width of 1600 mm. VESA 100, 200, 300, 400 and 600 mounting interface standard. Both in its home and office versions, this product can be wall-mounted or freestanding. Includes a rear cover that hides the connections.

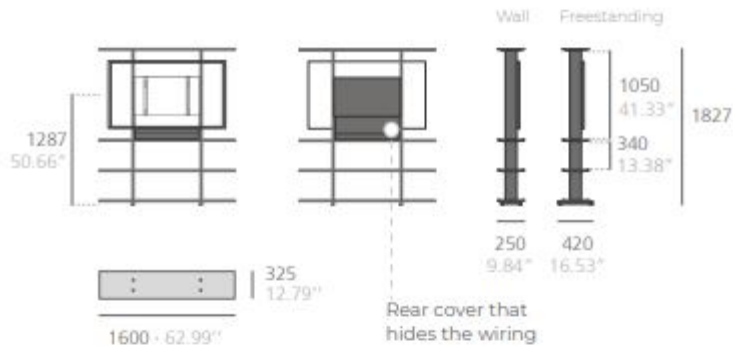
Dimensions



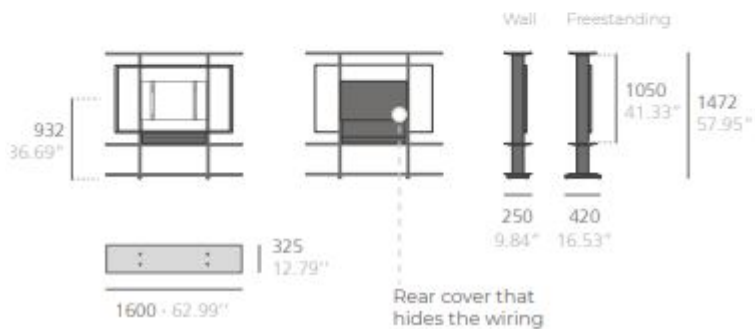
Home TV Stand



Office TV Stand



Home Basic TV Stand



SPECIFICATIONS



Commercial Furniture · Product Data Sheet

Arms

Yes

Leadtime

12 weeks +

Stacking

No

Price

More than 500